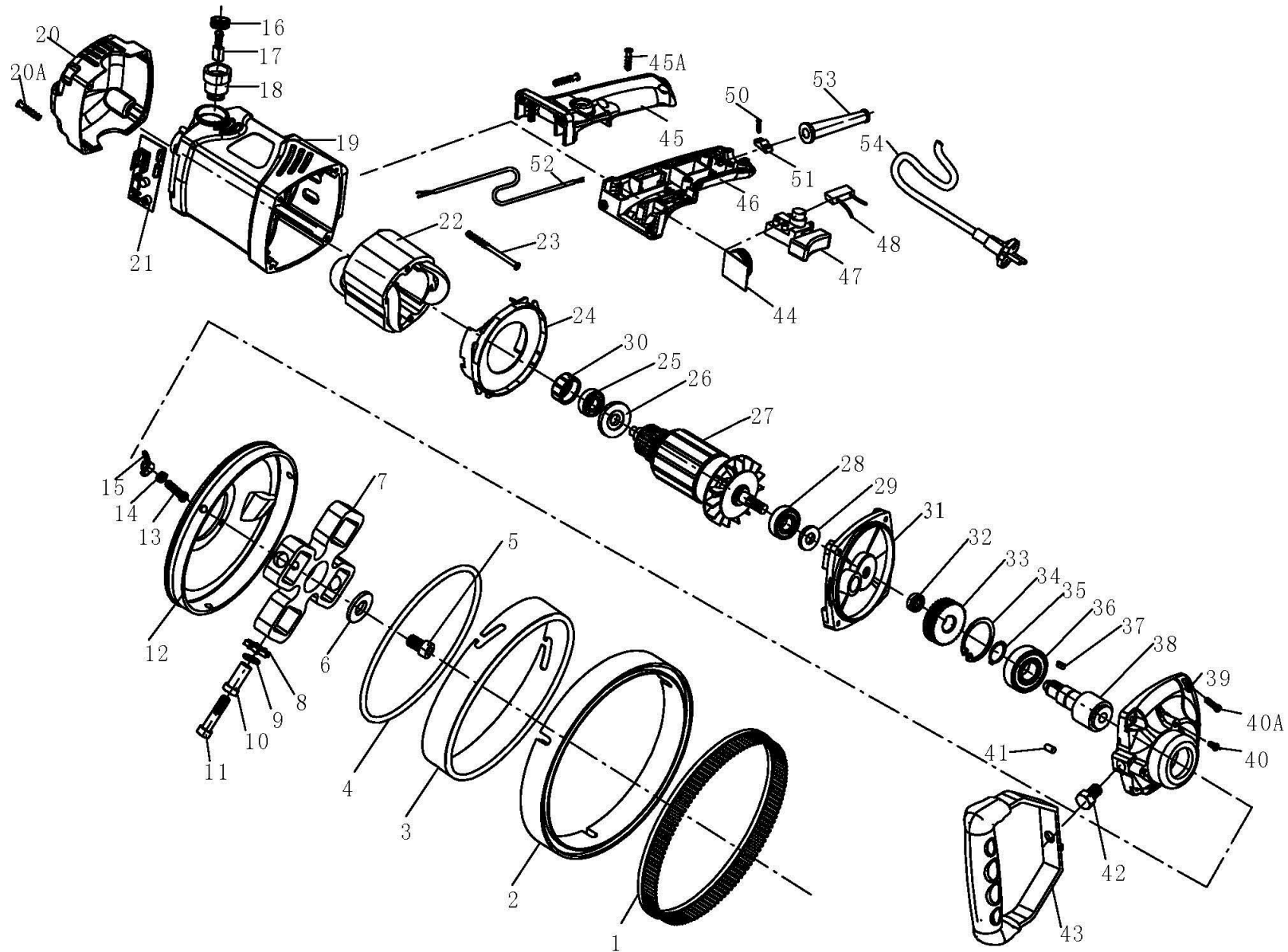




Scouring Machine XM-150



Product:	Scouring Machine				
Model:	XM - 150				
Page:	1	Review:	0	Date:	29/05/2015



Scouring Machine XM-150

Nº	Description	Code
1	Brush for Scouring Machine Model XM-150	PX1501
2	Brush Holder for Scouring Machine Model XM-150	PX1502
7	Capstan for Scouring Machine Model XM-150	PX1508
8	Stars for Scouring Machine Model XM-150	PX1501
16	Brush cap for Scouring Machine Model XM-150	PX1509
17	Carbon brush for Scouring Machine Model XM-150	PX1503
18	Brush holder for Scouring Machine Model XM-150	PX1511
21	Controler for Scouring Machine Model XM-150	PX1512
22	Stator for Scouring Machine Model XM-150	PX1513
27	Aemature ass'y for Scouring Machine Model XM-150	PX1505
30	Wool felt for Scouring Machine Model XM-150	PX1515
31	Gear box for Scouring Machine Model XM-150	PX1516
32	Needle roller bearings for Scouring Machine Model XM-150	PX1517
33	Motor gear for Scouring Machine Model XM-150	PX1518
38	Spindle for Scouring Machine Model XM-150	PX1519
39	Bearing cover for Scouring Machine Model XM-150	PX1520
43	Side handle for Scouring Machine Model XM-150	PX1521
44	Circuitry board for Scouring Machine Model XM-150	PX1522
45/46	Handle for Scouring Machine Model XM-150	PX1524
47	Switch for Scouring Machine Model XM-150	PX1525
48	Capacitance for Scouring Machine Model XM-150	PX1526
-	Diamond blade for Scouring Machine Model XM-150	PX1506

Product:	Scouring Machine				
Model:	XM - 150				
Page:	1.1	Review:	1	Date:	02/09/2016